



Exterior Linear Wide Strip Ceiling

Panel System 300 PE (200 PE & 150 PE)

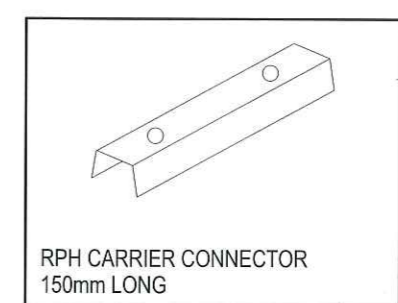
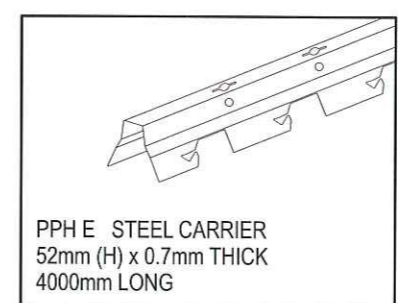
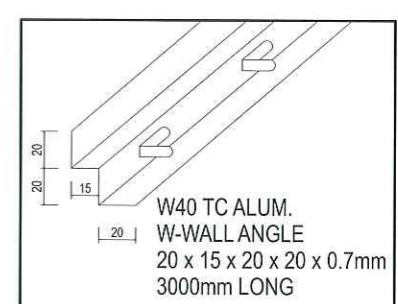
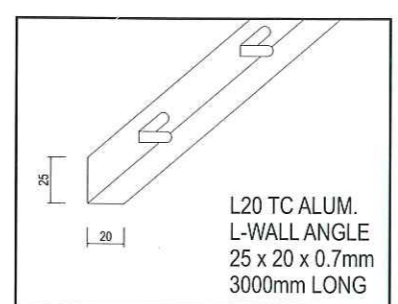
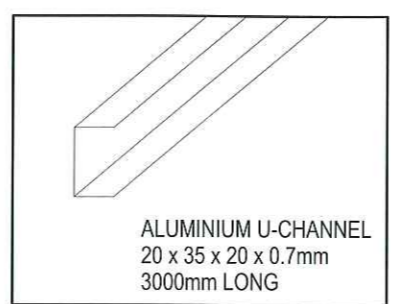
Panel System 300 PE Panel System 200 PE & 150 PE

Exterior Linear Wide Strip Ceiling

Prevalent, practical, simple structural and economical exterior ceiling in linear form from "Suckow & Fischer"



Accessories





Panel System 300 PE (200 PE / 150PE)

Panel System 300 PE exterior linear wide strip ceiling panel is designed for installing as outdoor ceiling applications with wind-load consideration. The wide strip ceiling panel is made of aluminium alloy, which is decorative and durable material. The ceiling panel is a concealed system with a continuous outward flange on one side of the panel length, which is overlapped to the adjacent panel to form a interlocking mechanical property.

It is functionally sound for installing as exterior ceiling in areas like petrol stations, tollgates and canopies or covered walkway of residential, commercial, public and administrative buildings. The ceiling system has proven wind chamber test results done by recognized professional laboratory.

Panels are available in width of 300mm for **Panel System 300 PE** and also in widths of 200mm and 150mm for **Panel System 200 PE** and **150 PE** respectively. Three panel widths are having similar features and application possibilities.

Panel Carrier & Suspended Systems

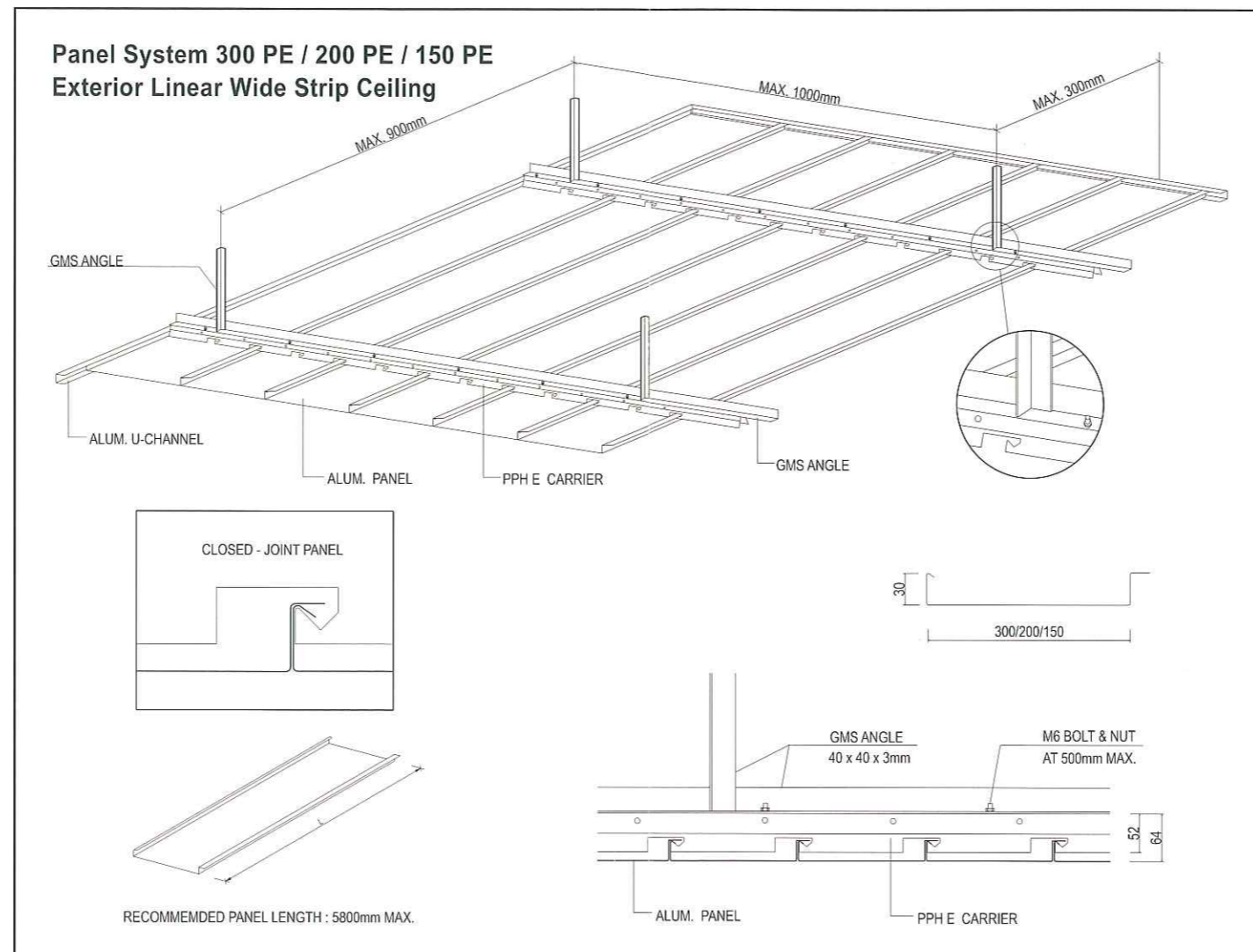
The wide strip ceiling panels are suspended with proprietary ceiling carrier, **PPH E**, which is made of 0.7mm thick galvanized steel coated in black finish. Standard length of the carrier is 4000mm length, which is suspended by GMS angle sub-frame in parallel at the back of the ceiling carrier. The GMS angle is then directly suspended vertically by GMS angle hanger to the concrete soffit. Distance between carriers is maximum 900mm c/c and the distance between suspension point is maximum 1000mm c/c.

Wind Load Pressure

Panel System 300 PE ceiling system is complied with Wind Pressure Test ASTM E330, Procedure B. (Test reports are available upon request.)

Materials

The standard wide strip ceiling panel in 300mm width is made of coil coated aluminium in 0.7mm thick; for 200mm and 150mm width panels, the standard material is made of coil coated aluminium in 0.6mm thick.



Finishes

Polyester stove-enamelled coil-coated finish on visible side is minimum 20 micron thick; non-visible side is 5 micron thick prime coated.

Also available in PVDF coil-coated process, which is recommended for severe outdoor conditions. The coating for solid colours & 40 micron for metallic colour thickness of PVDF coating on visible side is minimum 20 micron thick and the non-visible side is 5 micron thick prime coated. Please consult our Suckow & Fischer personnel for colour availability.

Fabrication Process

Continuous cold rolling technique is applied to form ceiling panels to the required shape.

Panel Length

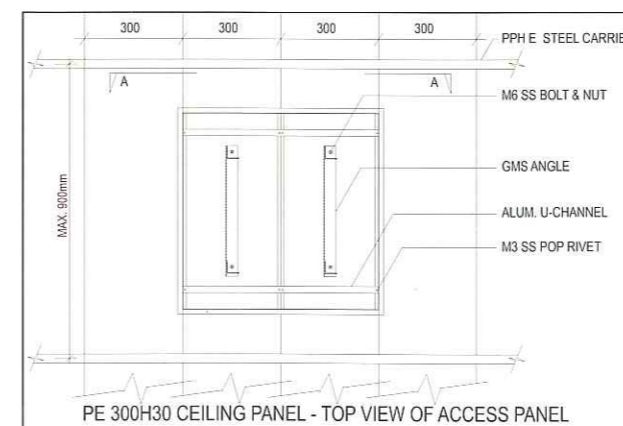
Roll-formed panel length from 1000-5800mm.

Upstand at Panel Ends

Ceiling panels can be fabricated with upstands at the panel ends upon request.

4000mm length per piece in standard length

Distance between carriers : 900mm maximum
 Suspension point distance : 1000mm maximum
 Ceiling depth : 110mm minimum
 GMS angle : 40x40x3mm



Advantages of Panel System 300PE / 200 PE / 150 PE

- Economical exterior ceiling systems.
- Proven system against wind pressure with track records & laboratory tests.
- Simple proprietary suspension system.
- Colour consistence with coil coated material.
- Choice of polyester or PVDF durable coatings.
- Flexible in panel length up to 5800mm.

