

System 460 EX

Exterior Baffle Ceiling

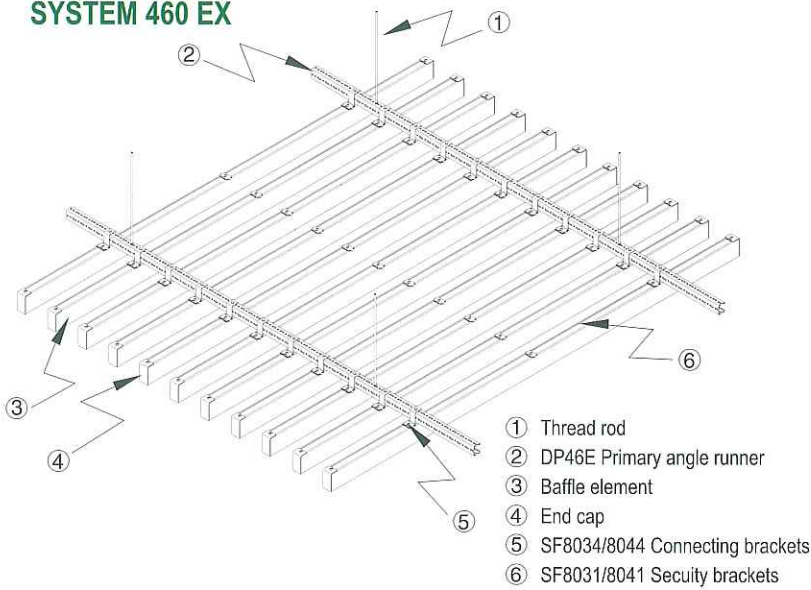


System 460 EX

Exterior Baffle Ceiling

Trendy open wide grid ceiling design extends its coverage to exterior area, ideal for podium and exterior locations to withstand weather conditions, designed & developed by "Suckow & Fischer" Germany.

SYSTEM 460 EX



Advantages of System 460 EX

- Outstanding open wide grid ceiling applicable for exterior installation
- Flexible baffle element dimensions to meet with individual project design
- Trendy ceiling system designed & engineered with German technology
- Different visual effects from different viewing angles
- Easy maintenance inspection for building services
- Environmental friendly product with recyclable material

System 460EX Baffle Ceiling System

New design of exterior ceiling system with open wide grid ceiling pattern instead of concealed type ceiling. The design allows baffle ceiling system extending its applicable locations from interior to exterior. An ideal design for car parks, podium or alike with the benefit of access to the plenum for building services.

The Suspension System

The system consists of galvanized steel Primary bridging channel type 'DP 46E' to be suspended by M9 thread rod at maximum 1,000mm c/c as per manufacturer's recommendation.

The baffle elements are fixed to the primary bridging channels with special designed connecting brackets **SF 8034** or **SF 8044**, security brackets **SF 8031** or **SF 8041**.

The Baffle Element's Material & Finishes

Rectangular baffle elements are formed by 1.0mm thick aluminium with width of 30mm or 40mm, height can be varied from 75mm up to 300mm depending on individual project requirements.

Each baffle element is in standard length of 3,000mm and can be extended continuously with splice **SF 8032** or **SF 8042**. All open ends of panel elements are concealed with end caps in matching colour.

The baffle panels shall be fixed by Stainless Steel M6 bolt & nut at suspension brackets to the secondary runner at multiple 12.5mm c/c to form a Baffle Ceiling pattern. The common distance of the baffle is 100mm, 112.5, 125mm, 150mm, 200mm or 250mm c/c, etc.

The baffle panels shall be coated in polyester powder coated finish in white colour RAL 9016 or other RAL colours. Finished coating can have other choices such as timber imitation or polyvinylidene di-fluoride (PVDF). For more information, please contact our "Suckow & Fischer" offices or authorized distributors.

Fabrication Quality & Standards

Ceiling panels are manufactured according to Technischer Arbeitskreis Industrieller Metall-deckenhersteller (TAIM) standards, Germany; together with quality compliance as defined by ISO 9001-2000 quality standards.

Building Services

The ceiling system can be designed to incorporate other building service facilities such as down lighting fixtures, lighting fixtures at the grid of the ceiling, or drainage at the plenum.

