

System 1005

Extruded Baffle Ceiling

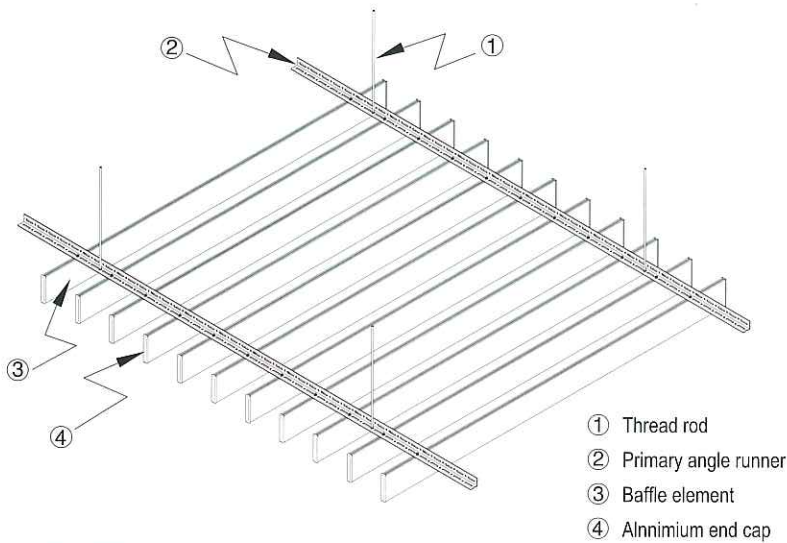


System 1005

Extruded Baffle Ceiling

An open grid ceiling with trendy design, flexible for various building services points and signages, ideal for shopping arcades, shops that provides spacious and different visual effects designed & developed by "Suckow & Fischer" Germany.

SYSTEM 1005



Advantages of System 1005

- Trendy ceiling system designed & engineered with German technology
- Hundreds of design possibilities in forms, patterns, directions and colours.
- Different visual effects from different viewing angles
- Easy maintenance inspections for building services
- Spacious head room ambience
- Ideal for frequent signage and decorative alternations
- Low maintenance with durable product life

System 1005 Extruded Baffle Ceiling System

A trendy ceiling system designed for easy accessibility of building services at the plenum. Baffle elements are aligned to form a ceiling surface which provides a different visual effects from point to point. The system also provides visible building services points that inspections can be carried out without the access to the plenum. The open grid also provide spacious ambience of the area. For shopping arcades, the system can have easy implement of signage and lighting fittings.

The Suspension System

The system consists of galvanized steel Primary Angle Runner type 'AS 20' or 'AS 20E' to be suspended by M6 thread rods at maximum of 1,200mm c/c as per manufacturer's recommendation.

The Baffle Element's Material & Finishes

Standard profiles are extruded to form sizes of 15x75mm, 15x100mm, 25x100mm rectangular profiles and 50mm diameter circular profile of 1.0mm thick aluminium alloy grade 6063-T5. Standard length of profile is in 4 meter; profiles can be extended in length with profile splices and pins. All profile ends are concealed with colour matching aluminium end caps. Other forms and shapes of profile are also possible upon request.

There are many possibilities to design the baffle ceiling patterns for different visual effects: center distance between profiles; combination of various profiles in different of height and width; change of profile direction and choice of colour effect.

The baffle panels shall be fixed by Stainless Steel M6 bolts & nuts perpendicularly to the secondary runner at multiple of 12.5mm c/c to form a Baffle Ceiling pattern. The common distance of the baffle is 100mm, 112.5, 125mm, 150mm, 200mm or 250mm c/c, etc.

The baffle panels shall be coated in polyester powder coated finish in white colour RAL 9016 or other RAL colours. Finished coating can have other choices such as Natural Anodized or polyvinylidene di-fluoride (PVDF). For more information, please contact our "Suckow & Fischer" offices or authorized distributors.

Fabrication Quality & Standards

Ceiling panels are manufactured according to Technischer Arbeitskreis Industrieller Metall-deckenhersteller (TAIM) standards, Germany; together with quality compliance as defined by ISO 9001-2000 quality standards.

Building Services

The ceiling system can be designed to incorporate other building service facilities such as down lighting fixtures, air filters, lighting fixtures, sprinkler heads, smoke & fire detectors, security and broadcasting systems at the grid of the ceiling.

