

System 173

Hinged-down Metal Ceiling

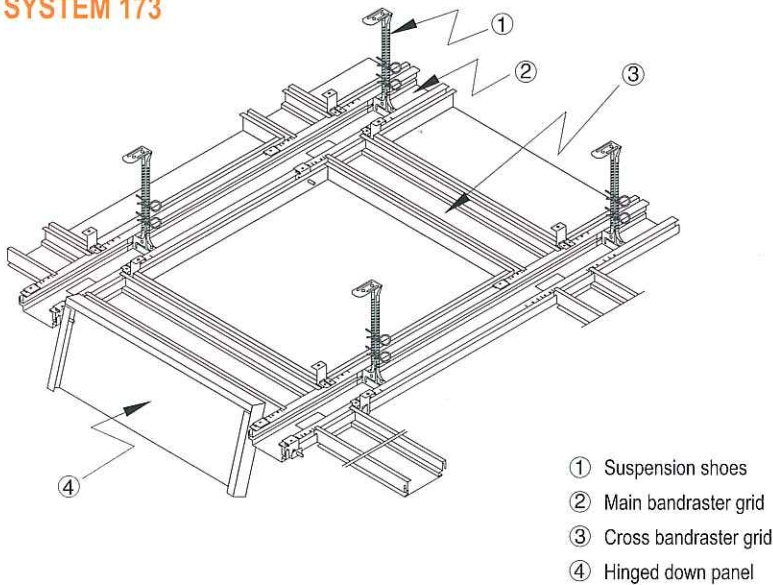


System 173

Hinged-down Metal Ceiling

Newly developed, state-of-the-art metal ceiling with proprietary system and precision-engineered components comply with DIN-EN standards, designed & developed by "Suckow & Fischer" Germany.

SYSTEM 173



Advantages of System 173

- Latest ceiling system designed & engineered with German technology
- Prestigious tartan grids system with junction boxes outlook
- Specially developed ceiling system for frequent access to building services
- Individual ceiling panel opened by hand with hinged down feature
- Incorporated with other building services with systematic layout
- Flush & flat ceiling surface for easy cleaning
- Low maintenance with durable product life

System 173 Hinged-down Metal Ceiling System

A latest ceiling system designed for frequent access of building services at the plenum. Individual ceiling panel is hinged and locked with the bandrastrer grids and can be opened to access the plenum simply by hand without any tool. The system comprises with prestigious tartan grids outlook with cover plates to form junction boxes by means of two-way bandrastrer grids that can integrate with large ceiling planks. It is designed and engineered to last for a long time without distortion of ceiling panel alignment with the grid system. The system is ideal for internal applications at airport terminals, railway stations, exhibition halls, convention centers and administrative buildings. The system is integrated with building services such as light fittings, air filters, air-conditioning outlets, sprinkler heads, broadcasting equipment and signage.

The Suspension System

The system consists of **FBP 100** main bandrastrer grids in 100mm width to form the module size up to 1200x1200mm. Cutout openings on main bandrastrer grids can be factory pre-fabricated to accommodate sprinkler heads, smoke detectors or CCTV camera. The **FBQ 100** cross bandrastrer in 100mm width can be up to 1100mm in length and to be interlocked onto the pre-punched slots of main bandrastrer of **FBP** to form a rigid square or rectangular structural ceiling module grids. The system is suspended by G.I. threaded rods with suspension shoes directly from the concrete soffit at distance between 1000 to 1200mm maximum or by means of upper part and lower part of nonius hangers with safety pins.

The Hinged-down Ceiling Panels

The hinged-down metal ceiling panel is fabricated with precision-engineered equipment to achieve flat and dimensionally stable surface. The ceiling panel is fabricated with inward flange on four-side of the panel to lay onto the **FBP 100** main bandrastrer grids with special designed hinges and stainless steel spring locks. Ceiling panels are having flush front surface with bandrastrer grids with 10mm shadow gap in between on four-side of each ceiling panel. Recommended maximum size of ceiling panel to be around 1100x1100mm. Other panel sizes and ceiling modules are also available upon requests.

Perforated Ceiling Panels

Ceiling panels can be perforated for aesthetic purpose or for acoustic effect by adding non-woven acoustical black fleece or other acoustical material. For more information, please refer to "Suckow & Fischer" Metal Ceiling Technical Brochure.

Fabrication Quality & Standards

Ceiling panels are manufactured according to Technischer Arbeitskreis Industrieller Metall-deckenhersteller (TAIM) standards, Germany; together with quality compliance as defined by ISO 9001-2000 quality standards.

Wall & Perimeter Treatments

Available in standard wall trims or custom made bulkheads, up-stands and window pelmets; all designed to incorporate with ceiling panels in matching colours.

Building Services

The ceiling system can be designed to incorporate other building service facilities such as down lighting fixtures, air filters, lighting fixtures, sprinkler heads, smoke & fire detectors, security and broadcasting systems. Pre-opening holes on ceiling panels fabricated at the factory are available as options.

Base Material & Finishes

Base material of main & cross bandrastrer grids is in 1mm & 0.75mm electrolytically galvanized steel respectively and ceiling panels can be in aluminium or electrolytically galvanized steel with various thickness depending on size of panel, finished in polyester powder coating in standard white in RAL 9016 or other RAL colours. For more information, please contact our "Suckow & Fischer" offices.

Access to Plenum

It is one of the special features of the system. Simply by lifting one end of the ceiling panel with both hands; the panel will be released from the locking device and stayed perpendicularly to the bandrastrer grids with the hinge design. After building service work is done, you may close the ceiling by lifting the panel back to the bandrastrer grids position where the panel will be automatically locked in the original position.

