

System 230 E

Hook-on tile Ceiling

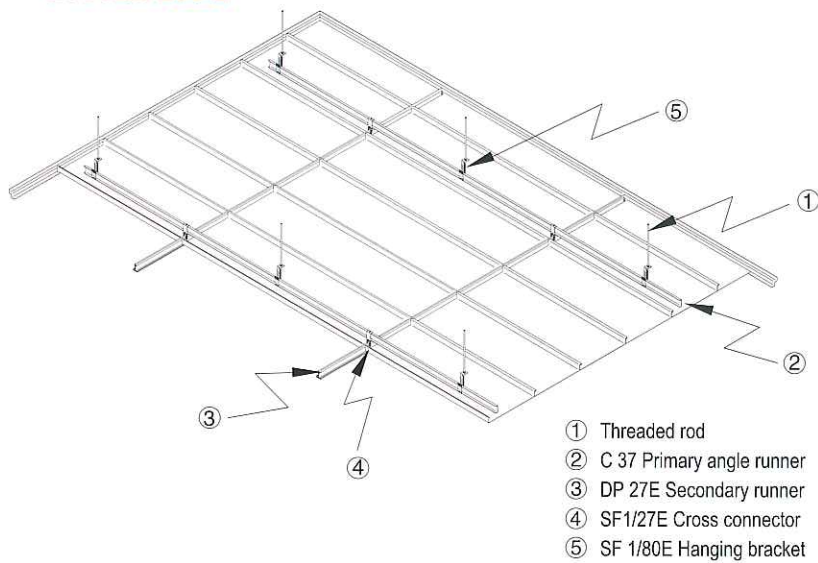


System 230 E

Hook-on tile Ceiling

Economical conceal grid system with hook-on ceiling tiles to provide easy maintenance without scarifying durability and toughness of the system, design and develop by "Suckow & Fischer" Germany.

SYSTEM 230 E



Advantages of System 230 E

- Economical ceiling system with conceal grid system
- Simple in design planning for room configuration
- Integrated with other building services
- Demountable by lifting & tilting ceiling tile without hand tools
- Low maintenance with durable product life
- Simple installation and re-mount procedure for frequent maintenance

System 230E – hook-on Ceiling System

Hook on ceiling system is popular for shopping malls, entrance lobbies, and public interior areas of commercial buildings that requires frequent maintenance on building services. Hook on ceiling tiles are easy to be removed and re-instated on to its original position without using tools. The proprietary suspension system is economical and easy to assemble on site as well as simple to access the plenum by lifting the ceiling tiles off the carrier. It is one of the best option as economically concealed type ceiling systems for commercial, public and administrative buildings.

The Suspension System

The suspension system consists of primary channel **C37** and secondary extruded aluminium profile **DP 27 E** to form a rigid structural ceiling frame for the ceiling panels. The primary channel and secondary profile are interlocked with propriety cross connectors **SF 1/27E**. The primary channels are suspended by G.I. rods directly from the soffit with adjustable butterfly clips or by M6 threaded rods with **SF 1/80E** hanging brackets at the distance of 1000 to 1200mm c.o.c..

The Hook-on Ceiling Panels

The high quality hook-on panel is fabricated with precision-engineered equipment to achieve flat and dimensionally stable surface. The ceiling panel is fabricated with hook on device at panel length, to secure & position at the secondary profiles. Standard panel sizes are 600 x 600 mm, 300 x 600mm, 300 x 900mm, 600x1200mm or 300x1200mm c/c ceiling module with beveled or square edge on four sides. Other formed panel sizes are available upon request; please consult "Suckow & Fischer" personnel for details.



The Hook-on Ceiling Panels

The high quality hook-on panel is fabricated with precision-engineered equipment to achieve flat and dimensionally stable surface. The ceiling panel is fabricated with hook on device at panel length, to secure & position at the secondary profiles. Standard panel sizes are 600 x 600 mm, 300 x 600mm, 300 x 900mm, 600x1200mm or 300x1200mm c/c ceiling module with beveled or square edge on four sides. Other formed panel sizes are available upon request; please consult "Suckow & Fischer" personnel for details.

Perforated Panels

For interior application, hook-on ceiling panels can be perforated for decorative purpose or for acoustic effect by adding non-woven acoustical black fleece or mineral wool acoustical pads. For more information, please refer to "Suckow & Fischer" Metal Ceiling Technical Brochure.

Fabrication Quality & Standards

Ceiling panels are manufactured according to Technischer Arbeitskreis Industrieller Metall-deckenhersteller (TAIM) standards, Germany; together with quality compliance as defined by ISO 9001-2000 quality standards.

Wall & Perimeter Treatments

Available in standard wall trims or custom made bulkheads, up-stands and window pelmets; all designed to incorporate with ceiling panels in matching colours.

Building Services

Hook-on Panels can be designed to incorporate other building service facilities such as down lighting fixtures, sprinkler heads, smoke & fire detectors, security and broadcasting systems. Pre-opening holes fabricated at the factory are available as options.

Base Material & Finishes

Base material of ceiling panels can be aluminium or electrolytically galvanized steel in standard RAL 9010 or other RAL colours. Other thickness of the base materials is available upon request. Finish coating of the panels can have the choices of using polyester powder coating, or coil coated in advanced polymer system, or polyvinylidene di-fluoride (PVDF). For more information, please refer to "Suckow & Fischer" Metal Ceiling Technical Brochure.

Access to Plenum

Hook-on ceiling panel can be dismounted and removed from the aluminium extruded profiles by hands without using special tools. Gently push the panel upward and tilt the ceiling panel from the hook-on profile to remove the ceiling panel.