

Panel System 285 E

Clip-in Tile Ceiling



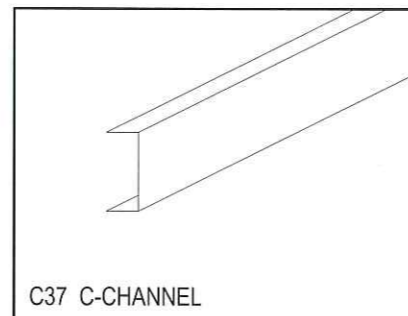
Panel System 285 E

Clip-in Tile Ceiling

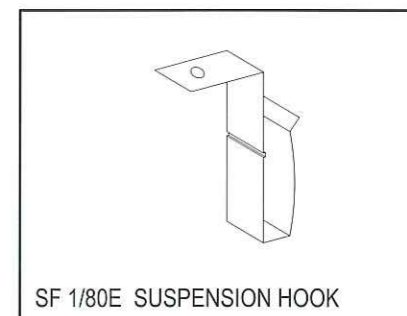
Demountable, simple and economical; yet a superior concealed grid system among the others from "Suckow & Fischer".



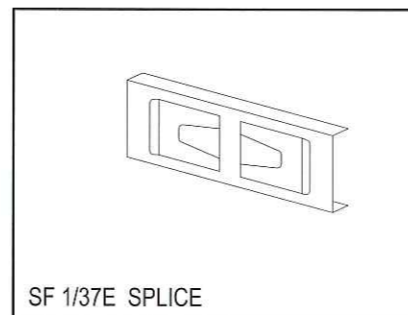
Accessories



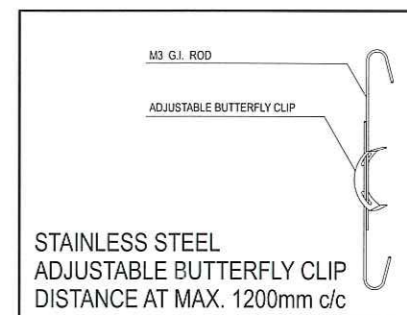
C37 C-CHANNEL



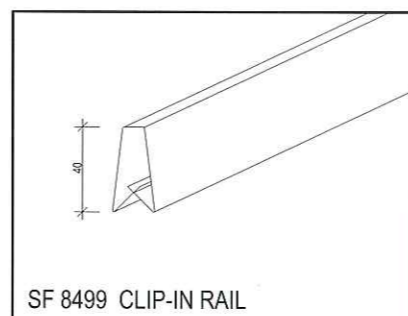
SF 1/80E SUSPENSION HOOK



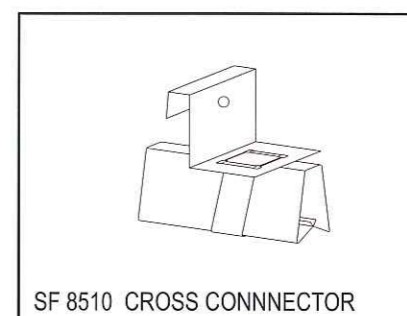
SF 1/37E SPLICE



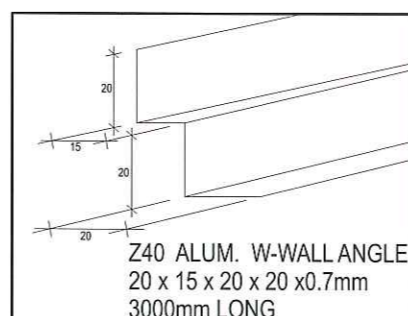
STAINLESS STEEL
ADJUSTABLE BUTTERFLY CLIP
DISTANCE AT MAX. 1200mm c/c



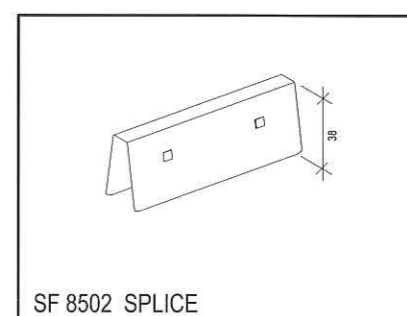
SF 8499 CLIP-IN RAIL



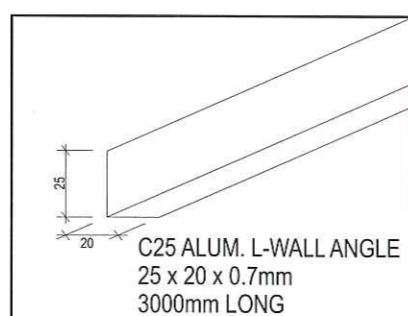
SF 8510 CROSS CONNECTOR



Z40 ALUM. W-WALL ANGLE
20 x 15 x 20 x 20 x 0.7mm
3000mm LONG



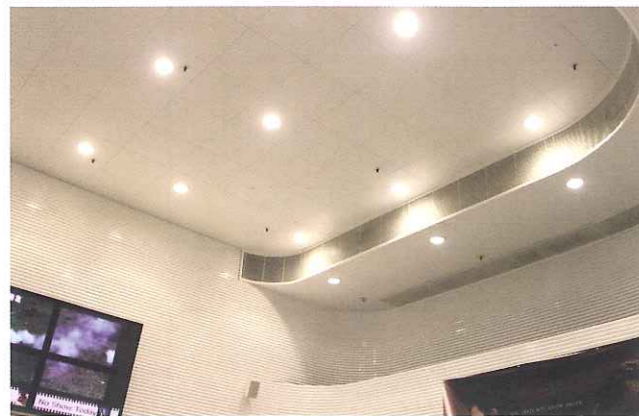
SF 8502 SPLICE



C25 ALUM. L-WALL ANGLE
25 x 20 x 0.7mm
3000mm LONG



DISMANTLING HAND TOOL



Panel System 285 E Clip-in Tile Ceiling

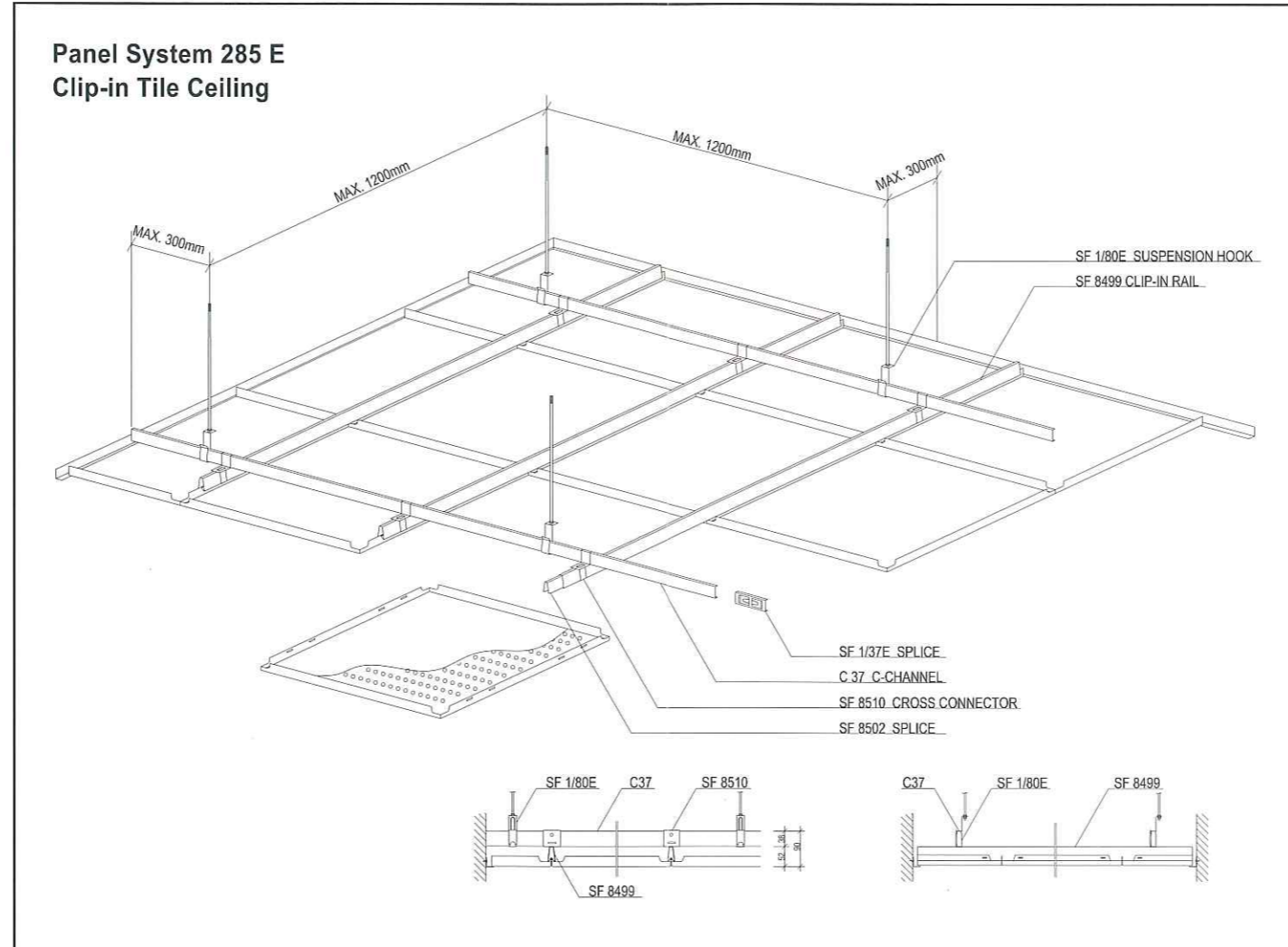
Clip-in tile ceiling is one of the most popular concealed grid metal ceiling systems for interior applications. With square or rectangular tile pattern, it is easily to fit in design layout for any configuration. **Panel System 285 E** is economical for large or small ceiling area but it does not mean we scarify our quality. The system is rigid and superior than most of other similar systems.

Clip-in Tile

The clip-in tile is fabricated with precision-engineered equipment to achieve flat and dimensionally stable surface. Standard tile sizes are 600x600mm and 600x1200mm c/c with bevelled edge on four sides. Other tile sizes may available upon request.

For 600x600mm tile, there are choices of material in 0.7mm aluminium with polyester coil-coated, 0.7mm aluminium with polyester powder coated and 0.5mm electro-galvanized steel with polyester powder coated.

For 600x1200mm tile, there are choices of material in 0.8mm aluminium with polyester powder coated and 0.7mm electro-galvanized steel with polyester powder coated.



Perforated Tile

Standard perforation patterns available are 2.3mm & 2.5mm diameter holes in square pattern with 16% open area, or 1.8mm diameter holes in staggered pattern with 20% open area. Optional acoustic black fleece to glue at the back of the tile is upon request.

Carrier & Suspended System

The suspended system consists of primary structural profile, **C 37 C-channel** profile, made of 0.8mm thick galvanized steel in 3000mm length. The secondary carrier profile, **SF 8499 Clip-in Rail**, made of 0.5mm thick galvanized steel in 4000mm length, which is connected to the primary C-channel profile with Cross Connector, **SF 8510**, to form a rigid structural sub-frame for the ceiling panels. The primary C-channel profile is suspended to the concrete soffit by **GMS M6** thread rod with Suspension Bracket, **SF 1/80E**.

Tile Finishes

Finish coating of the panels available in polyester powder coating, or coil coated in advanced polymer system in standard white similar to RAL 9010. Other RAL colours are optional.

Wall Trims

Available in standard L-shaped and W-shaped wall trims in white colour.

Installation

Fixing to any standard construction structure.
 Minimum overhead clearance: 90mm
 Maximum primary C-profile span: 1200mm
 Suspension point-to-point distance: 1000/1200mm

Advantages of Panel System 285 E Clip-in Tile Ceiling

- Popular concealed suspension grid system.
- Very economical & superior clip-in tile system among others.
- Easy to fit in design layout for any room configuration.
- Low maintenance and durable ceiling tiles.
- Integrated with other building services.
- Demountable with hand-tool.

